

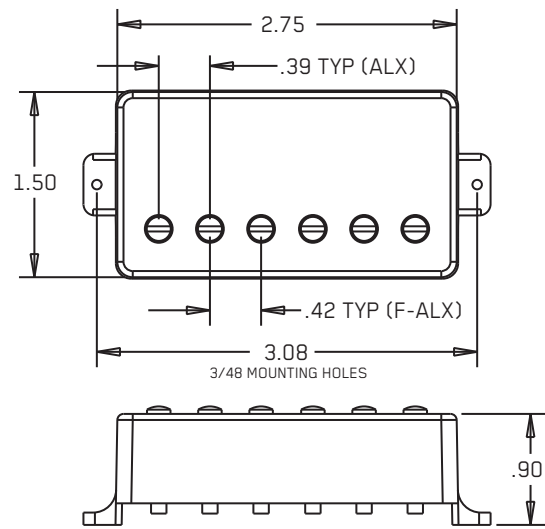


0230-0178A

PO BOX 4394
SANTA ROSA, CA
95402 USA

P (707) 525-9941
F (707) 575-7046
EMGPICKUPS.COM

INSTALLATION INFORMATION EMG MODELS: ALX SET, F-ALX SET (ALEXI LAIHO SIGNATURE GUITAR INSTALLATION)



SPECIFICATIONS:

Logo Color
Magnet Type *
Inductance (Henries) (1)
DC Resistance (kOhm)
Resonant Frequency (KHz)

MODEL:

ALX / F-ALX
Silver
C/S
4.53
8.40
See Below

ABQ Pre-Amp

Input Impedance (Kohm)	500
Input Noise	-148
Maximum Gain	20dB
Output Impedance (Kohm)	2.00
Current @9V (Microamps)	195
Battery Life (Hours)	1500
Maximum Supply (Volts DC)	27

*C/S (Ceramic/Steel)
(1) Wired in Series

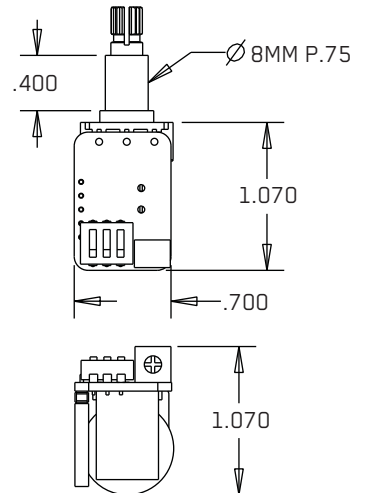
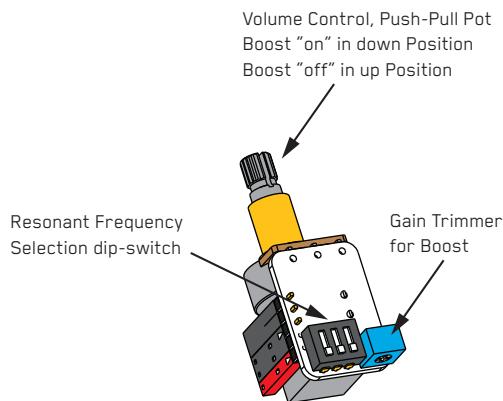
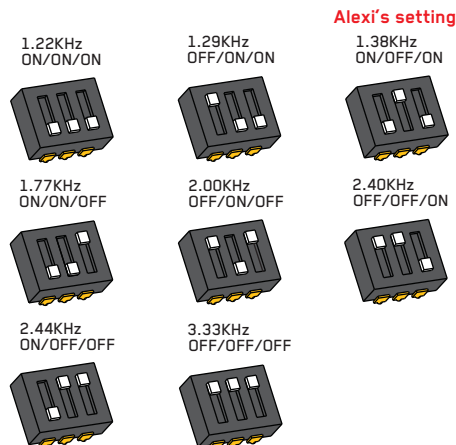
INSTALLATION NOTES: (Signature Model)

The EMG-ALX set includes either an ALX Pickup or the F-ALX (Floyd Rose Spacing) and the ABQ Preamp. The ALX/F-ALX Pickups are slightly overwound humbucking pickups that feature a ceramic magnet for clarity. The ABQ Pre-amp has a Push-Pull Pot with an adjustable boost in the down position. As an additional feature the input of the ABQ Pre-amp has a 3-position dip switch that allows the resonance of the pickup to be altered to a variety of fixed frequencies. There are two different instruction sets for the ALX Set. This set of instructions is for the Alexi Laiho Signature Model. The alternate set of instructions is for guitars that are wired differently than the Signature Model or, that may have more than one pickup. For further information go to <http://www.emgpickups.com>.

SPECIAL NOTE: The Red Wire of the HZ Pickup Cable is NOT for battery power, it is a coil wire.

EMG-ABQ PRE-AMP (Frequency Selection)

The 3-position dip switch allows you to change the resonant frequency at the input to the pre-amp. The frequencies will be different if you use a passive pickup other than the ALX. If you use an Active EMG Pickup the switches will not make any change.



WARRANTY

All EMG Pickups and accessories are warranted for a period of two years. This warranty does not cover failure due to improper installation, abuse or damage. If upon examination the pickup is determined to be defective, a replacement will be made. Warranty replacement products are covered by this same warranty. This warranty covers only those pickups and accessories sold by authorized EMG Dealers. This warranty is not transferable.

Installation Instructions:

EMG Model: ALX (Alexi Laiho Signature Guitar Installation)

Remove the existing pickup, volume control, output jack, and pre-amp on/off switch if there is one. The switch will not be used again because the installation now includes a push-pull pot for the preamp on/off function.

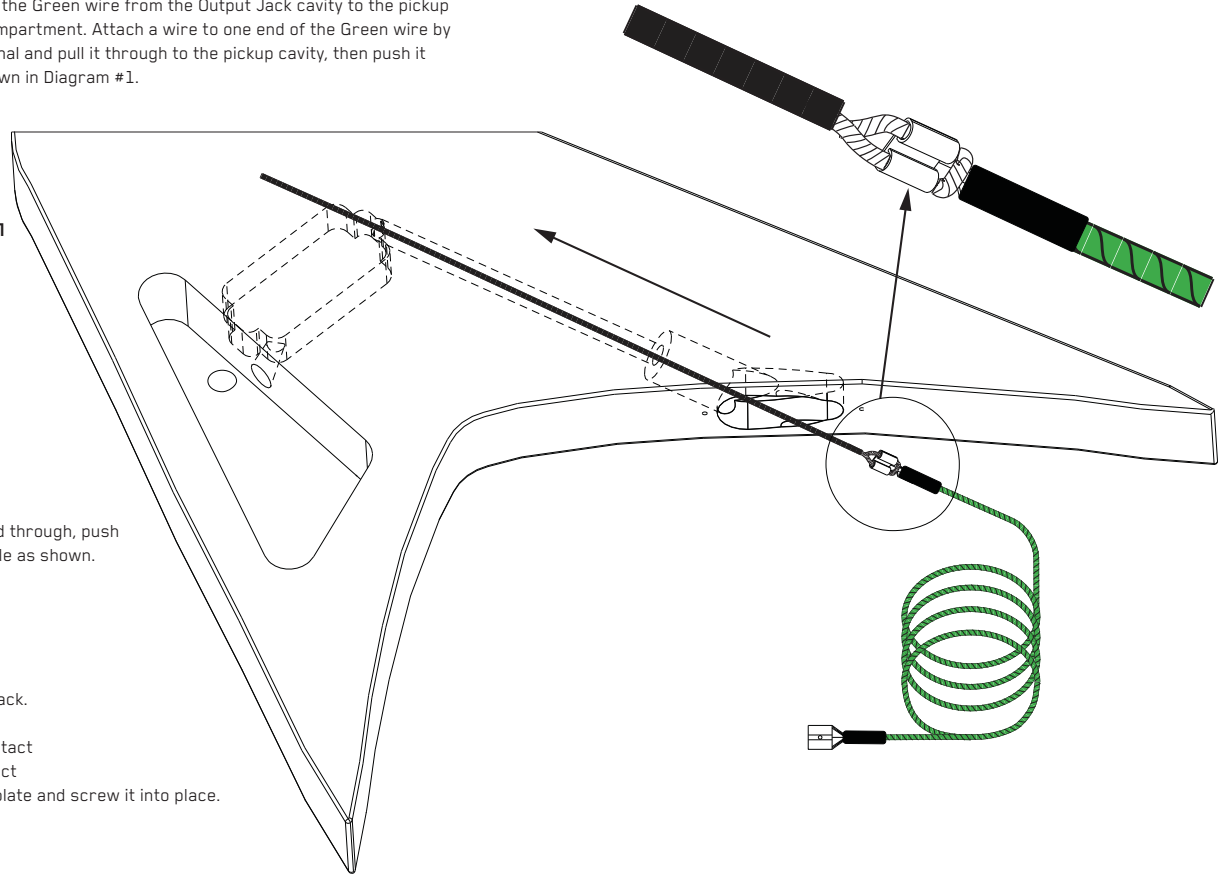
The installation starts by installing the wires for the output jack.

Refer to Diagram #1

The installation starts somewhat backwards. Instead of installing the pickup first, the output jack is installed.

It is first necessary to "Fish" the Green wire from the Output Jack cavity to the pickup cavity, then to the control compartment. Attach a wire to one end of the Green wire by wrapping it around the terminal and pull it through to the pickup cavity, then push it into the control cavity as shown in Diagram #1.

Diagram #1



Refer to Diagram #2

After the Green wire is fished through, push through the white output cable as shown.

Refer to Diagram #3

Push the terminals onto the jack.

White wire to the TIP Contact

Black wire to the SLEEVE Contact

Green wire to the RING Contact

Install the jack onto the jack plate and screw it into place.

Diagram #2

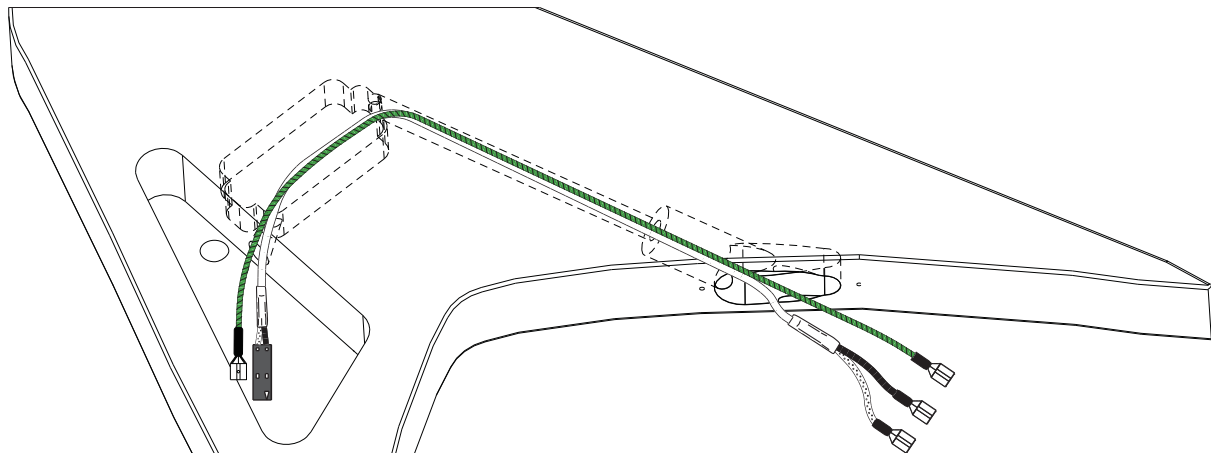
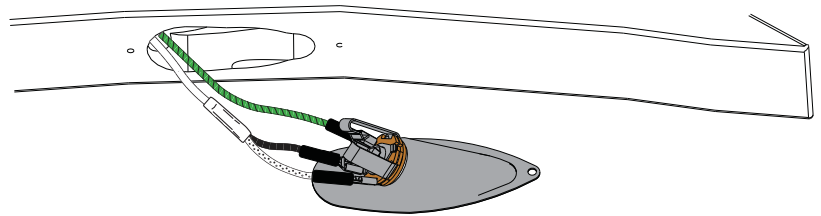


Diagram #3



Installation Instructions:

EMG Model: ALX (Alexi Laiho Signature Guitar Installation)

Diagram #4 shows the pickup wiring legend and placing the connector on the back side of the pickup.

Refer to Diagram #5

Install the pickup into the mounting ring and route the cable into the control compartment. Be sure the polarity of the connector is correct.

Refer to Diagram #6

Insert the connectors onto the ABQ Preamp as shown. Pickup input cable to pins 1 and 2, and note that the pickup input connector is reversed. Output cable to pins 3 and 4. Red wire from pin 5 to the battery buss.

Refer to Diagram #7

Slip the heat-shrink tubing over the Green wire from the output jack. Use the Spade connector to join the Green wire from the output jack to the Black wire of the Battery. Cover the connection with the heat shrink tubing provided to insulate the connection.

This completes the installation. Be sure to test the pickup and preamp by tapping on the pickup with a small screwdriver. Also, be sure to insulate the battery with the foam piece provided.

EMG-HZ Wire Order:

Pin 1 Green (GRN)

Pin 2 White (WHT)

Pin 3 Braid (GND)

Pin 4 Red (RED)

Pin 5 Black (BLK)

Diagram #4

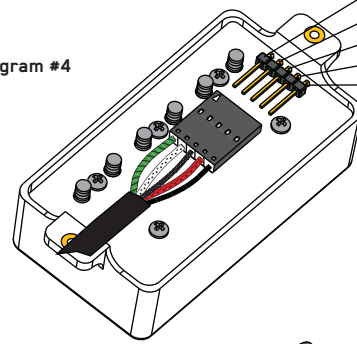


Diagram #5

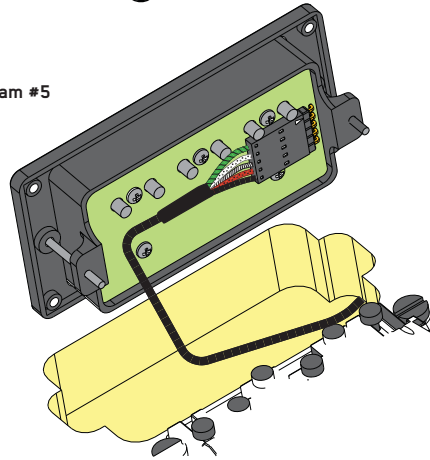


Diagram #6

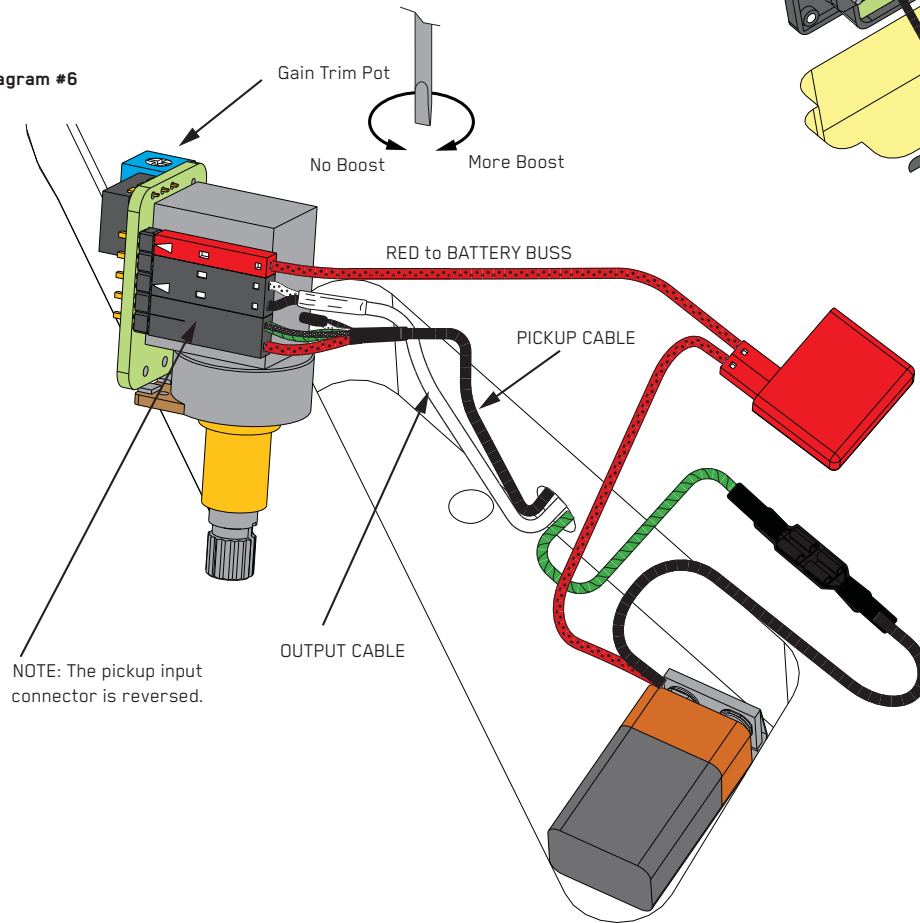


Diagram #7

